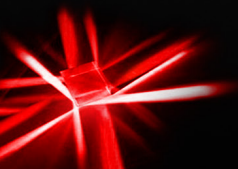


DIVUM 50K



Divum 50K, the latest addition to the Goboservice range, is a powerful projector (thanks to the 600W LED) and versatile thanks to its 8-52 photographic zoom. The internal power supply is IP65 certified and forms an impenetrable barrier to atmospheric agents while the body, classified IP54, remains perfectly suitable for external projects even permanent. Divum ensures maximum creativity, dynamism and flexibility with a brilliant and precise reproduction of graphic designs, logos and animations. Among the accessories: animation disc, contourer, 4-position image change.



DIVUM 50k

BODY

Material	Alluminium - Steel
Protection rating IP	IP65/IP54
Protection rating IK	IK09
Insulation Class	I
Surface Finishing	Black Painting RAL 9005

POWER SUPPLY

Power Mode	600W
	110-240V 50/60Hz

MAIN FEATURES

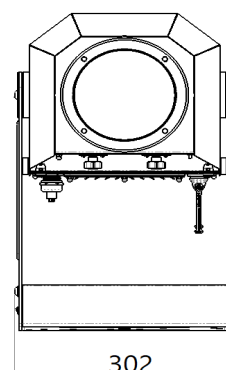
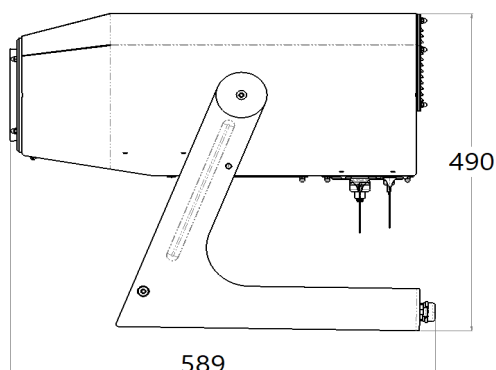
Light Source	LED COB
Colour Temperature	8880 °K
Light Source	37.100 lm
Optical System	Zoom lens (8° - 52°)
Gobo Size	ID 25 mm
Angular Aperture	8° 52°
Maximum Brightness at 5m	32.360 lux 980 lux
Optical Efficiency	43,6% 41,5%
Total Lumen output	13.000 lm 16.000 lm
Luminous Efficacy	21,6 lm/W 26,6 lm/W

CONTROL

Protocol: DMX512

WEIGHT

25 kg



ACCESSORIES

Gobo Holder

Kit cambio immagine

Gobo Changer

Dynamic Effect

Beam Shaper

Electric plug Schuko IP54

Pole mounting bracket Pro

Extendable Stand

Standard Wheel
